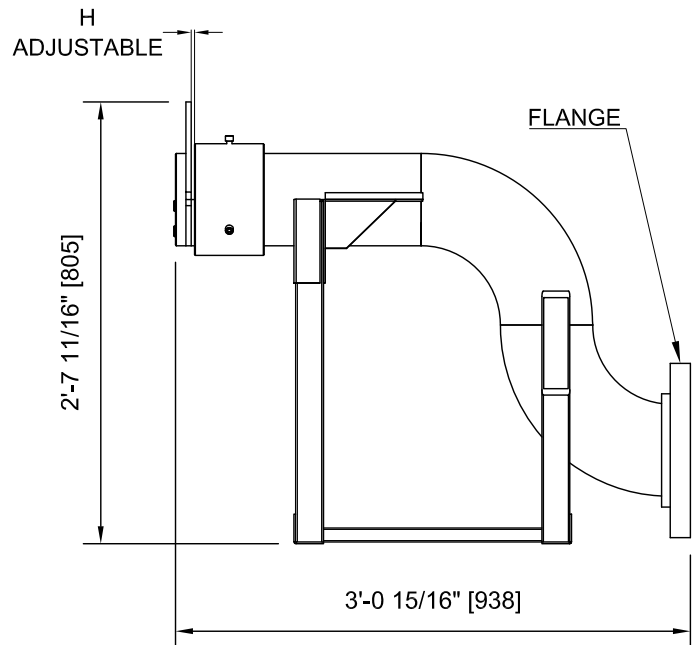
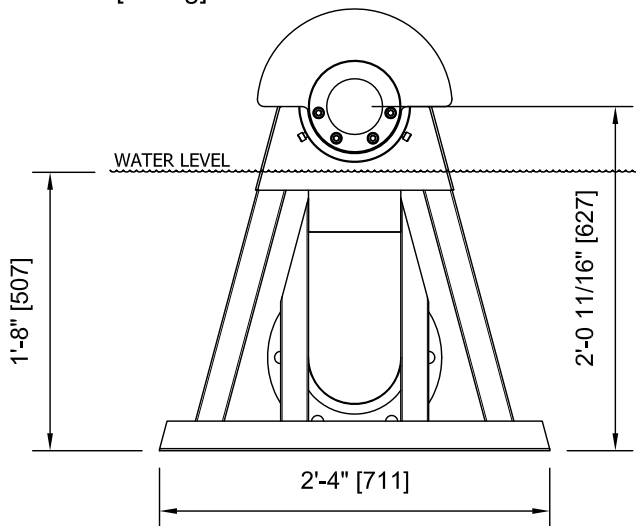


Function

The Crystal Fountains Water Screen is a water level independent media projection nozzle. When integrated with a variety of media including lasers and video the nozzle acts as a screen allowing the projection of images and forms and animations. The nozzle produces a screen (viewing area) of approximately 140 feet wide X 70 feet high.

Specifications

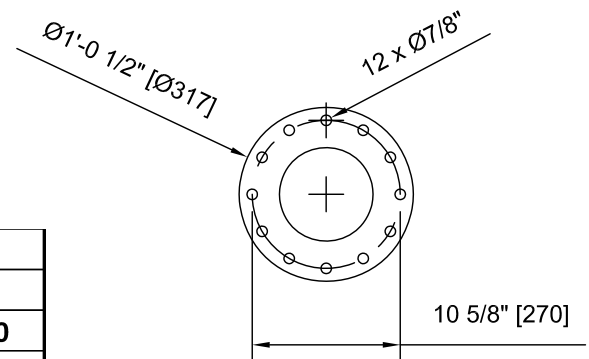
Construction of nozzle shall be 316 stainless steel.
 Water inlet -Flange : 6" 300lb
 Weight: 200lb [100kg]



NOZZLE PERFORMANCE

Optimum Lazer Projection Screen (1/8" Opening)				
Effect Raduis (ft)	30	40	50	60
Flow (gpm)	620	700	750	900
Press (psi)	120	160	170	220

Optimum Daytime and LED Lighting Screen (1/2" Opening)					
Effect Raduis (ft)	30	40	50	60	70
Flow (gpm)	1100	1250	1380	1480	1600
Press (psi)	80	100	120	140	160



PROPRIETARY AND CONFIDENTIAL

THE INFORMATION CONTAINED IN THIS DRAWING IS THE SOLE PROPERTY OF CRYSTAL FOUNTAINS. ANY REPRODUCTION IN PART OR AS A WHOLE WITHOUT THE WRITTEN PERMISSION OF CRYSTAL FOUNTAINS IS PROHIBITED.

CUT SHEET
WSN600-D101

Page 1 of 1

www.crystalfountains.com

Crystal
where ideas flow™

TEL. (905) 660-6674 SERIES FAX. (905) 660-6916

Image Projection
Water Screen Nozzle

SERIES
WSN

REV.
A
JUL 2015